

Recessed CE3535

CE3535-A90



CE3535-A90

Basic Parameters

Application	Indoor
Material	AL6063-T5,spraying surface
IP Grade	IP20
Warranty	5 years

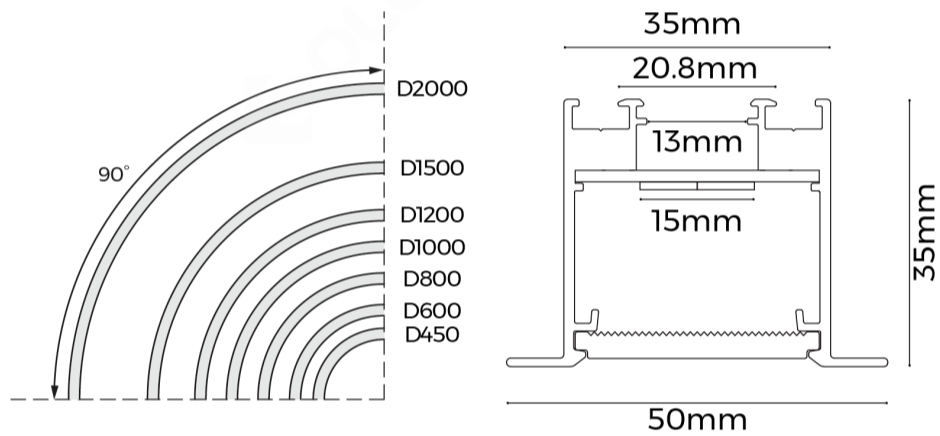
Electrical Parameters

Optical Parameters

Length	D450mm,D600mm,D800mm,D1000mm,D1200mm,D1500mm,D2000mm
Luminous Efficacy	70LM/W



Dimensions

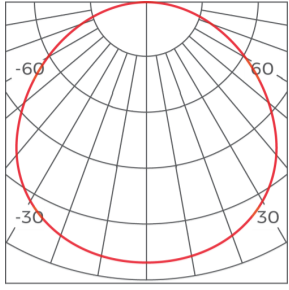


Luminaire Parameters

Version	Size(mm)	Power(W)	PCB Current(A)	CRI	CCT	Lumens(LM) @White, Sliver	Lumens(LM) @Black
Regular	D450mm	6	0.25	>80	4000K	420	357
Regular	D600mm	9	0.375	>80	4000K	630	535
Regular	D800mm	12	0.5	>80	4000K	840	714
Regular	D1000mm	14	0.58	>80	4000K	980	833
Regular	D1200mm	18	0.75	>80	4000K	1260	1071
Regular	D1500mm	22	0.92	>80	4000K	1540	1309
Regular	D2000mm	30	1.25	>80	4000K	2100	1785
Regular	D450mm	6	0.25	>90	4000K	361	307
Regular	D600mm	9	0.375	>90	4000K	541	460
Regular	D800mm	12	0.5	>90	4000K	722	614
Regular	D1000mm	14	0.58	>90	4000K	842	716
Regular	D1200mm	18	0.75	>90	4000K	1083	921
Regular	D1500mm	22	0.92	>90	4000K	1324	1125
Regular	D2000mm	30	1.25	>90	4000K	1806	1535

Light Distribution

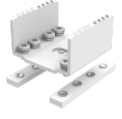
Regular-110°



h(m)	D(cm)	E(lx)
1	277	340
2	554	85
3	831	37
4	1108	20

Common Accessories

Splicing accessory



EX-E15

Applicable product model: CS3535/C E3535 Material process:SPCC/ Electro phoresis Size: L31.5*W30*H18mm Quantity: 1 PCS/SET Other:Includes mounting screws.

Dedicated light source



DA1682415

Applicable product model : AS3535/AH5060 Size: 5000*15*1.5mm Cutting Unit : 35.71mm Input Voltage : DC24V Typ.Power : 20W/M Typ.luminous flux: 756LM/M CCT:RGB CRI: / Other : 20# wire diameter, outer diameter 5mm, red-green-blue-white 4PIN transparent crystal cable



DMA1202415

Applicable product model : AS3535/AH5060 Size: 4000*15*1.5mm Cutting Unit : 50mm Input Voltage : DC24V Typ.Power : 25W/M Typ.luminous flux: 724LM/M CCT: RGB Control Mode:DMX CRI: / Other : 20# wire diameter, outer diameter 5mm, red-green-blue-white 4PIN transparent crystal cable



DS81602415

Applicable product model : AS3535/AH5060 Size: 5000*15*1.5mm Cutting Unit : 50mm Input Voltage : DC24V Typ.Power : 19.2W/M Typ.luminous flux: 2880LM/M CCT: 2700/3000/3500/4000/5000/6500K CRI: 80/90 Other : 18# wire diameter,PVC material, 2PIN red-black wire



DS83202415

Applicable product model:AS3535/AH5060 Size: 4000*15*1.5mm Cutting Unit:50mm/16LEDs Input Voltage:DC24V Typ.Power:38.4W/M(2700K+6500K) Typ.luminous flux: 2880LM/M@2700K CCT: 2700K+6500K CRI: 80/90 Other:Outer diameter 6mm,18# wire diameter, brown-blue-green 3PIN crystal wire

Cover



CV-CS3535D

Applicable product model:CS3535/C S3570/CE3535(suitable for down-lighting) Diffuser Nature: Diffuser Material process: silica gel flexible/frosting Light transmittance:≥55% Size: 20000*32*3.5mm Other: Fire protection rating UL94-V2; increased silicone oil on both sides (dustproof)

Controller



CR2-GBA

Product Name: CR2-GBA Input Voltage: 12-48V Output Current:8A*2CH,Max 16A Output Power:192W/384W@12V/24V , 384W/576W@36V/48V Dimming Mode: Two-color 2.4 remote control IP:IP20 Product Size:L175*W45*H27(mm)

End cap accessory



EC-ME3535

Applicable product model: ME3535
Material process: aluminum/ powder spraying
Size: L50*W35*H2.5mm
Quantity: 2PCS/ set

Installation accessory



CP-53

Applicable product model: MS3535/MS3570/ME3535
Applicable installation: Pendant/Ceiling/Recessed
Material process: Stainless Steel
Size: L22.67*W20*H5.3mm
Quantity: 4 PCS/SET



RB-04

Applicable product model: ME3535/ME5035/ME7035
Installation method: Recessed
Material process: aluminum alloy/oil spray
Size: 24*6.9*15.7mm
Quantity: 4PCS/ set

CCT-Remote control



R7-1

Product Name: R7-1 Dual Color Remote
Working Voltage: 3VDC (Battery CR2032)
Operating Frequency: 2.4GHz
Remote Control Distance: 30 meters
Operating Temperature: -30°C~55°C
Product Size: L107*W58.5*H9(mm)

Power Supply



BK-DEV200-24VOD

Applicable product model: General
Dimming mode: DALI2, PUSH-dimming, 1-10V 3in1 dimming
Size: 361*33.1*22.8mm
Input voltage: AC200-240V
Operating frequency: 50/60Hz
PF value: ≥ 0.9
Output voltage: DC24V
Output current: $\leq 8.3A$
Power: 200W
Efficiency: 0.92
Certification: TUV, CE, RCM
Case material: Metal housing



BK-DGVX-24VOD

Product Name: BK-DGV036-24VOD/BK-DGV060-24VOD/BK-DGV100-24VOD
Applicable product model: General
Output power: 36W/60W/100W
Output current: $\leq 1.5A/\leq 2.5A/\leq 4.2A$
Product size: 245.0*30.0*21.0mm/285.0*30.0*21.0mm/355.0*30.0*21.0mm
Input voltage: AC200-240V
Input voltage: AC200-240V
Operating frequency: 50/60Hz
Output voltage: DC24V
PF value: ≥ 0.9
Efficiency: ≥ 0.88
IP: IP20
Dimming mode: DALI-2, PUSH-Dimming, 1-10V 3in1 Dimming
Certification: CE, ENEC, UKCA, RCM, CCC, EL
Material: Metal housing
Warranty: 5 years



BK-MEV200-24VOM

Applicable product model: General
Dimming mode: 1-10V Dimming
Size: 321.5*48*30mm
Input voltage: AC200-240V
Operating frequency: 50/60Hz
PF value: ≥ 0.9
Output voltage: DC24V
Output current: $\leq 8.3A$
Power: 200W
Efficiency: 0.93
Certification: CE, ENEC, UKCA, RCM, CCC, EL
Case material: Metal housing



BK-MGVX-24VOM

Product Name: BK-MGV036-24VOM/BK-MGV060-24VOM/BK-MGV100-24VOM
Applicable product model: General
Output power: 36W/60W/100W
Output current: $\leq 1.5A/\leq 2.5A/\leq 4.2A$
Product size: 245.0*30.0*21.0mm/285.0*30.0*21.0mm/355.0*30.0*21.0mm
Input voltage: AC200-240V
Operating frequency: 50/60Hz
Output voltage: DC24V
PF value: ≥ 0.9
Efficiency: ≥ 0.89
IP: IP20
Dimming mode: 1-10V Dimming
Certification: TUV, CE, ENEC, RCM
Material: Metal housing
Warranty: 5 years



LF-GHYXH24

Applicable product model: General
Dimming mode: Non-Dimming
Size: 316*30.7*22.8mm / 361*33.1*22.8mm
Input voltage: AC220-240V
Operating frequency: 50/60Hz
PF value: ≥ 0.9
Output voltage: DC24V
Output current: $\leq 4.25A / \leq 10A$
Power: 100W / 240W
Efficiency: 0.92
Certification: ENEC, CE, CB, RCM, UKCA, MM, CCC
Case material: Plastic

Packing

QTY/CTN	N. WT (ctn)	G.WT (ctn)	Size (cm/carton)	Product Size (mm)
50	11.1	12.21	98*37.5*34	D450*35*35mm
40	11.8	12.98	80*49*34	D600*35*35mm
30	12	13.2	66*63.5*34	D800*35*35mm
25	12.5	13.75	78*59.5*34	D1000*35*35mm
20	11.5	12.65	90.5*64*27.5	D1200*35*35mm
21	19.2	21.12	113.5*84*21	D1500*35*35mm
12	10.6	11.66	148*64.5*21	D2000*35*35mm